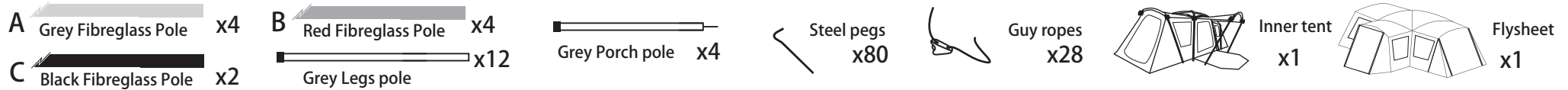
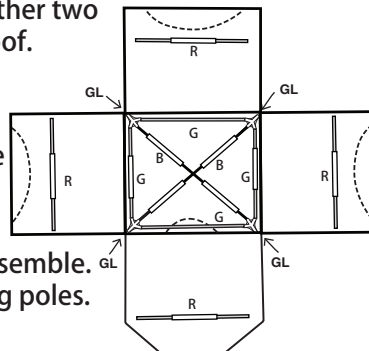
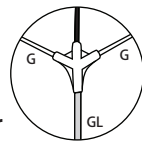


# Torpedo7

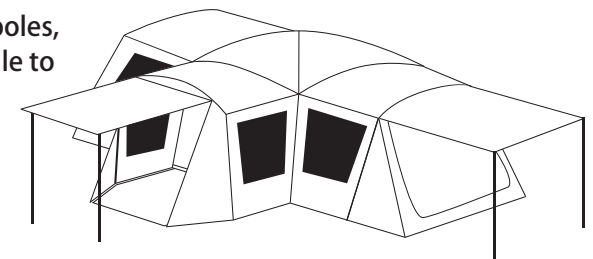
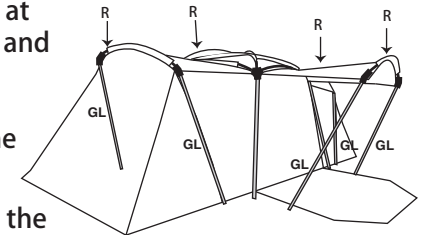
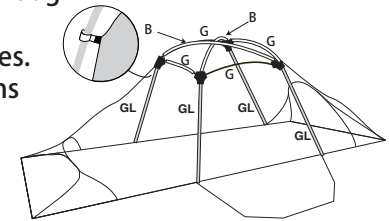
## Discovery 12 Tent Instructions



- Before you head away on your camping adventure we advise that you run through the full set up process to make sure you have all the components, and that everything is in working condition.
- Select a dry, level site and clear the ground of any sharp objects. Remove the tent from its carry bag, untie fabric ties and unroll the tent.  
NOTE: Save the fabric ties to make packing the tent away easier.
- Spread out the floor of the inner tent, ensuring that the tent is pulled taut and square. Back/front orientation doesn't matter as the tent is symmetrical.  
NOTE: To make sure the tent stays in place insert the pegs into the ground at a 45° angle, not straight down. Unzip and open the doors to make erecting the tent easier.
- Lay out the frame grouping all the poles by colour. Take the two longest BLACK poles (Label C) and one at a time, feed them through the pole sleeves with black trim to create an 'X' over the main room and fit the ends into the centre opening of the star shaped knuckles.
- Take the two GREY poles (Label A), one at a time, slide the poles through the pole sleeves, with GREY trim, that run across the side of the roof. Attach them to the outside openings of the star shaped corner knuckles. Repeat this with another two Grey poles, which run along the front of the roof.
- Take the four Grey Legs and insert them into the remaining openings of the star shaped knuckles at the top of the inner. Fit the bottom of each pole on to the corresponding pin at the base of the inner so that the middle room now stands. This will take 2 people to assemble. Attach the speed-clips onto the corresponding poles.



- Take the four RED poles (Label B) and slide them through the RED marked sleeves at each end of the tent and front canopy, then insert them into the knuckles. Fit the remaining 8 Grey Legs into the knuckles, pins and rings. Attach the speed-clips onto Grey legs. Go to the front of the tent and peg out the front corners keeping the floor square.
- Peg out the 4 corners of the tent and then peg out the remaining peg points. Ensure that the peg at the base of each pole is through the pegging loop and not the ring. Attach the speed hook to the steel poles. Peg out the remaining pegging points ensuring the tent is square. The inner tent is now pitched.
- Carefully pull the fly up over the inner tent. Attach the Velcro tabs inside the fly around the corresponding poles. Attach the elastic loops at the base of the fly to the existing pegs. Where no pegs are present, peg the fly directly into the ground, ensuring there is adequate space between the inner and the fly. Finally peg out the guy ropes and fine tune the fly so it remains taut and positioned correctly over the tent. The ideal angle for guy ropes is 45°.
- When pegging out the GREY Porch poles, make sure the ropes are at a 45° angle to pull the flap evenly.



## **REVERSE THESE PROCEDURES TO LOWER THE TENT**

### **Packing Instructions**

- Make sure the inner and fly are COMPLETELY DRY and CLEAN before packing away. (A damp tent can develop mildew very quickly.)
- Pack the poles and pegs into their separate bags.
- Fold the fly in half lengthwise and fold the ends in to form a rectangle. Then fold each end into the middle and continue folding until you have a long rectangle. The bottom of the fly should be at one end when folded.
- Ensuring that the inner doors are left half unzipped (to allow air to escape), lay the fly and poles on top of the inner and tightly roll up the tent over the poles (rolling towards the bottom edge of the fly which helps to push the air out).
- Secure the rolled up tent with the supplied ties.
- Place in carry bag.

### **Care Instructions for Your Tent**

- **KEEP ALL HEAT AND FLAME SOURCES AWAY FROM TENT, \*\*\*NEVER\*\*\*** use any gas, flame or heat appliances inside your tent.
- The pre-tied guy ropes must be used at all times to help stabilize and help prevent any damage to your tent (your tent is not covered under warranty from wind and/or storm damage).
- Your tent must be stored away DRY and CLEAN; it also must be kept in a dry area off the ground to help prevent any moisture build-up and/or mildew developing.
- At the first sign of bird droppings or sap from a tree, clean off straight away using water and a soft cloth only; if left, this may damage the fabric of your fly.
- DO NOT use cleaning agents, bleaches or sharp instruments to clean your tent; this may not only affect the waterproofing treatment of the fabric, but may also accidentally damage the tent which would NOT be covered under the warranty.
- When dismantling the tent, take the extra time to wipe down the poles along with your pegs. This will help keep them all free of dirt and debris and help extend their usage.
- If not regularly used, erect the tent every 3 months, this will help in the detection of any mould or mildew that may have been previously undetected (if accidentally put away damp, or has had moisture build-up whilst stored), or any damage that may have been unsighted when last used.

- If the tent has been used near the sea, hose down the entire tent to remove salt spray residue (particularly zip slides and any metal parts) and dry thoroughly before storing. Zip sliders can be sprayed with a silicone spray to prevent corrosion (avoid oil-based sprays as they will stain the fabric).

### **Warranty**

Torpedo7's Warranty Policy covers our products for 12 months from the purchase date. Warranty claims cover any fault, defect or failure occurring as a result of the manufacturing process. Damage or faults occurring as a result of misuse, accident, or wear and tear are not covered by our warranty policy. If the product is out of warranty, then we can still have the product repaired, however, the cost of the repair will be charged to the customer.

#### **Please Note:**

The warranty for Torpedo7 tents does not cover wind damage. This is standard practice for all tents sold within New Zealand and Australia.